



POWER SYSTEMS

## AESCULAP® Acculan 4 Dermatome

LOOK. FEEL. EXPERIENCE.

### AESCULAP® – a B. Braun brand

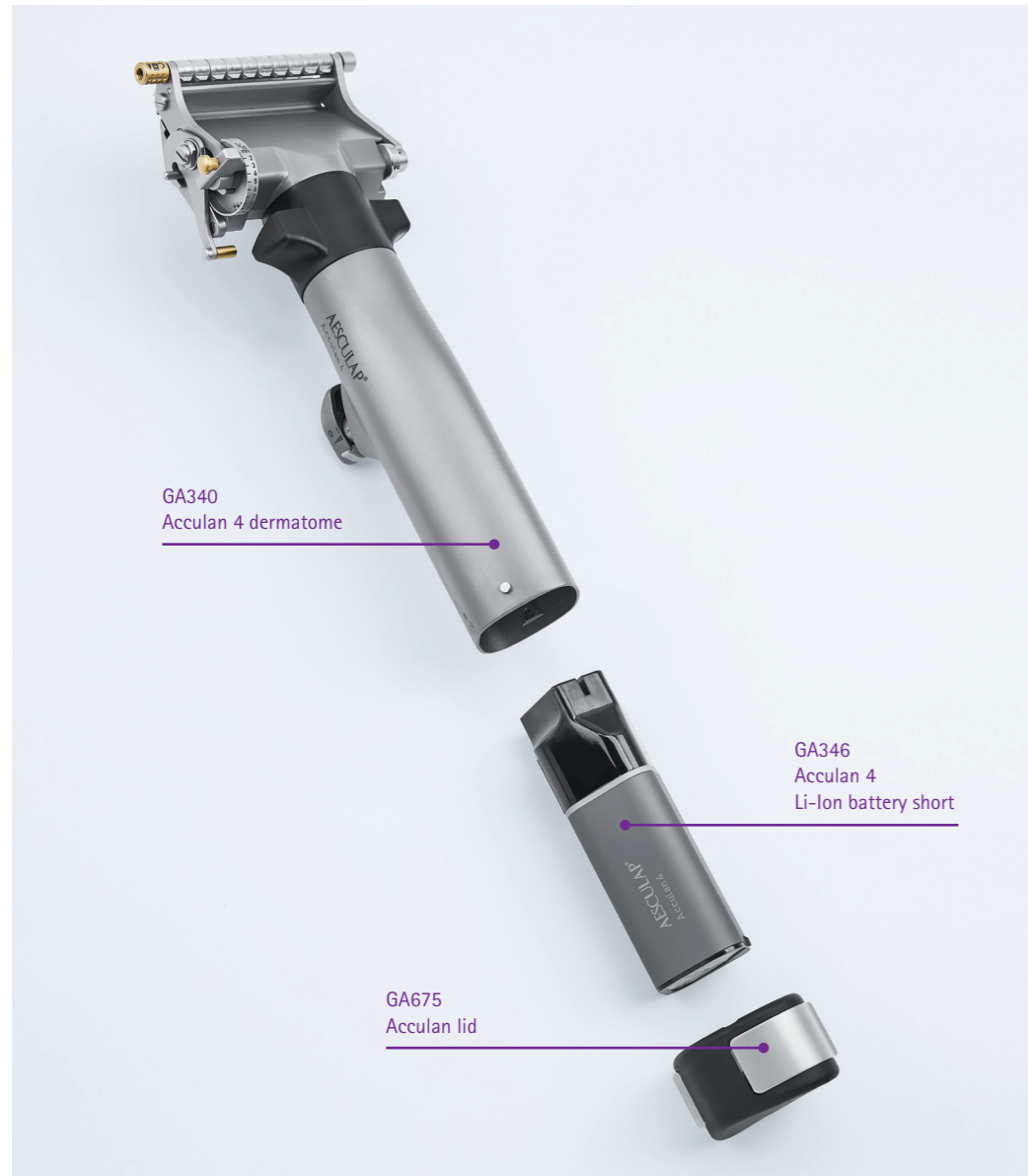
B. Braun Medical N.V./S.A. | Lambroekstraat 5b | 1831 Diegem | Belgium  
+32 (0)2 712 86 50 | [customer care.be@bbraun.com](mailto:customer care.be@bbraun.com) | [www.bbraun.be](http://www.bbraun.be)

The main product trademark "Aesculap" is a registered trademark of Aesculap AG.

Subject to technical changes. All rights reserved. This brochure may only be used for the exclusive purpose of obtaining information about our products. Reproduction in any form partial or otherwise is not permitted.

# AESCULAP® Acculan 4 Dermatome

LOOK. FEEL. EXPERIENCE.



GA340  
Acculan 4 dermatome

GA346  
Acculan 4  
Li-Ion battery short

GA675  
Acculan lid

## Acculan 4 Dermatome

The Acculan 4 Dermatome is powerful and simple to use. It combines reliability, longevity and ergonomics – A machine that will inspire you.

- keyless adjustment of cutting thickness and width
- cutting thickness: 0.2 – 1.2 mm
- cutting width: max. 78 mm
- golden marked operating elements

## THE DIFFERENCE IS IN THE DETAIL

AESCULAP® was a pioneer in the introduction of non-sterile batteries. This avoids sterilization not only of the temperature-sensitive battery cells, but also of the equally vulnerable integrated control electronics. This, in turn, has a positive effect on the service life of the batteries and, therefore, on the system's operating costs. A concept that has been proven for years now. The opportunity to replace the battery at a fixed price and the further use of the electronics and housing helps to preserve the environment as well as to deliver financial benefits.

## MECHANICAL PROCESSING

Thanks to the titanium housing and the ECCOS storage solution Acculan 4 is suitable for mechanical cleaning, even with alkaline cleaning media.

## SERVICE LABEL

Regular servicing and preventive maintenance is essential to ensure the reliability of motor systems over a long service life. The service label on each Acculan 4 machine clearly shows when the next preventive maintenance is due.

# Acculan 4

## Acculan 4 Charger GA320

Revised design combined with approved display concept for:

- charge process
- battery exchange



## Skin graft mesher BA720R

Specific supplement to the Acculan 4 dermatome for creating meshed split-thickness skin grafts.

Available skin carriers:  
1:1.5 | 1:3 | 1:6



- Accessories, such as the ECCOS storage solution, can be found in the Power Systems main catalogue O84002.
- The tools (e.g. dermatome blades or skin carriers) can be found in the Burrs & Blades catalogue O17599.